

58x126mm Full Range

- **High Sensitivity**
- **Compact Design**
- **NO Stray Magnetic Fields**
- **Wide Bandwidth**

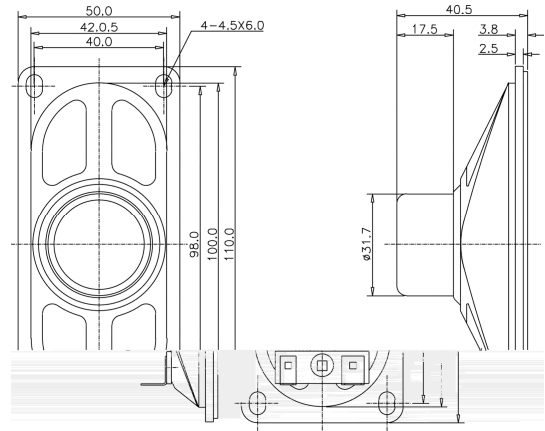
Nominal Diameter (Ø)	2x5 inches (58x126mm)
Nominal Impedance (Z)	8 Ohms
Sensitivity, 1W/1m (E)	84 dB @ 1 kHz
Power Capacity, RMS (Pe)	10 W
Power Capacity, Peak	20 W
Frequency Range (-10dB)	Fo - 20 kHz
Minimum Impedance	8 Ohms
Voice Coil Diameter (Ø)	18.4 mm
Voice Coil Winding Length (h)	4.5 mm
Voice Coil Number of Layers (n)	2
Voice Coil Former Material	Kapton
Voice Coil Wire Composition	CCAW
Motor Reference	N184-C08-055A
Magnetic Material	Neodymium radial
Stray Flux Shielding	Inherent
Magnetic Gap Depth (He)	5.5 mm
Cone Material	Paper
Surround Material	Rubber impregnated cloth
Polarity, Outward Motion	Positive voltage on (+) tab
Net Weight	0.1470 kg

Thiele / Small Parameters

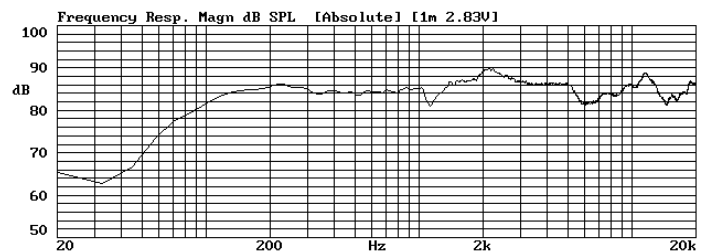
Resonant Frequency (Fo) - Fs	135 Hertz
Voice Coil DC Resistance - Re	7.16 Ohms
Total Q - Qts	1.30
Mechanical Q - Qms	4.00
Electrical Q - Qes	1.94
Equivalent Volume of Air - Vas	1.30 L
Radiating Piston Area - Sd	39.03 cm ²

Electrical / Mechanical Parameters

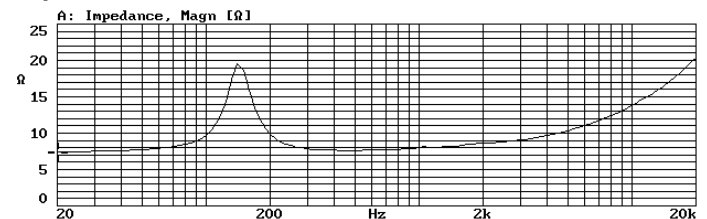
Flux Density x Length - BL	2.66 Tesla-meters
Compliance - Cms	610 µm/N
Total Mass - Mms	2.25 grams



Frequency Response (1W, 1m)



Impedance



Distortion (1W, 1m)

