

2" Full Range Speaker

- **High Output Sensitivity**
- **NO Stray Magnetic Fields**
- **Wide Bandwidth**
- **Low Distortion**

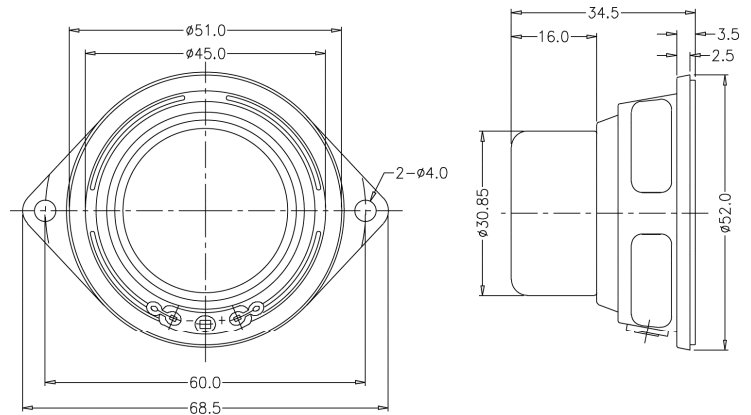
Nominal Diameter (Ø)	2 inches (51 mm)
Nominal Impedance (Z)	4 Ohms
Sensitivity, 1W/1m (E)	82 dB
Power Capacity, RMS (Pe)	5 W
Power Capacity, Peak	10 W
Frequency Range (-10dB)	Fo - 20 kHz
Minimum Impedance	4 Ohms
Voice Coil Diameter (Ø)	14.3 mm
Voice Coil Winding Length (h)	4.8 mm
Voice Coil Number of Layers (n)	2
Voice Coil Former Material	Kapton
Voice Coil Wire Composition	CCAW
Motor Reference	N143-C06-055A
Magnetic Material	Neodymium radial
Stray Flux Shielding	Inherent
Magnetic Gap Depth (He)	5.5 mm
Cone Material	Paper
Surround Material	Rubber impregnated cloth
Polarity, Outward Motion	Positive voltage on (+) tab
Net Weight	0.0963 kg

Thiele / Small Parameters

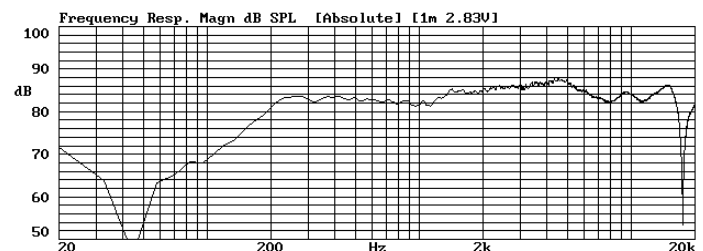
Resonant Frequency (Fo) - Fs	250 Hertz
Voice Coil DC Resistance - Re	3.6 Ohms
Total Q - Qts	0.98
Mechanical Q - Qms	4.40
Electrical Q - Qes	1.26
Equivalent Volume of Air - Vas	0.14 L
Radiating Piston Area - Sd	12.57 cm ²

Electrical / Mechanical Parameters

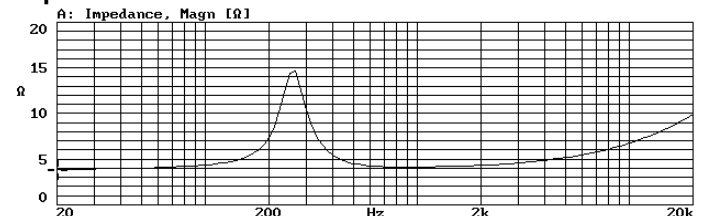
Flux Density x Length - BL	1.75 Tesla-meters
Compliance - Cms	610 µm/N
Total Mass - Mms	0.68 grams



Frequency Response (1W,1m)



Impedance



Distortion (1W,1m)

