

# AURASOUND INC

11839, EAST SMITH AVENUE, SANTA FE SPRINGS, CA 90670, U.S.A.

PHONE: 1-562-447-1780

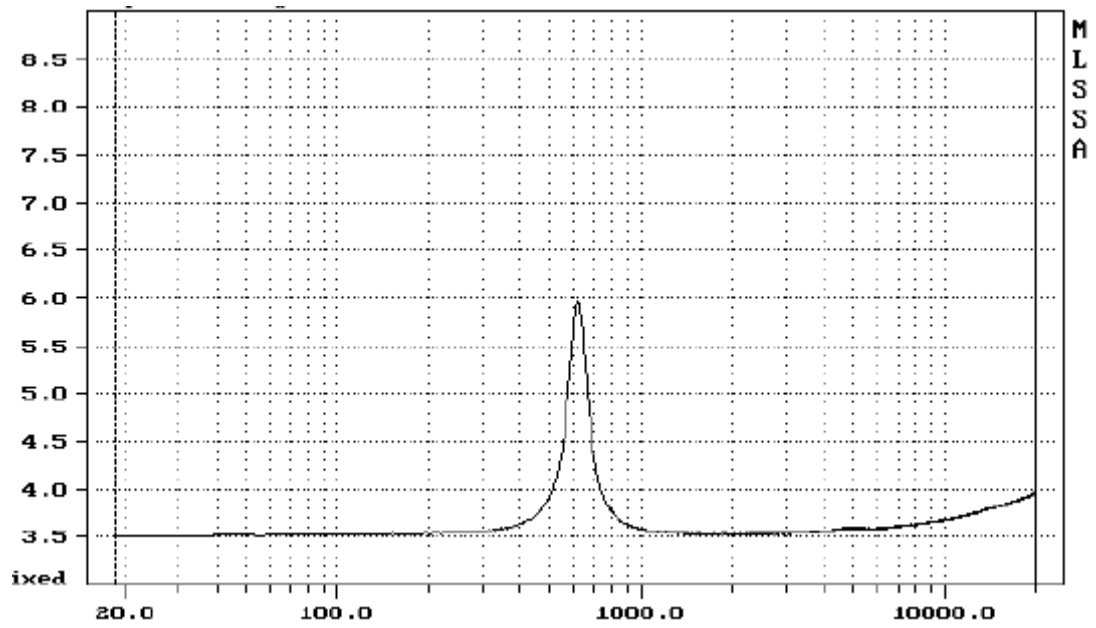
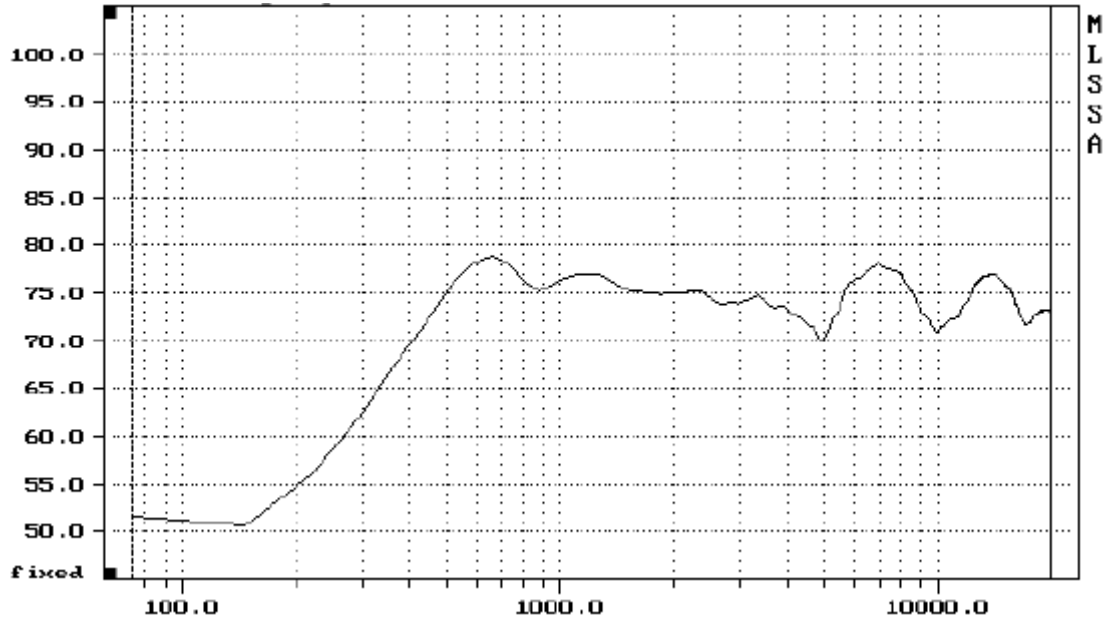
FAX: 1-562-447-1788

WRITTEN BY: Zhong Min

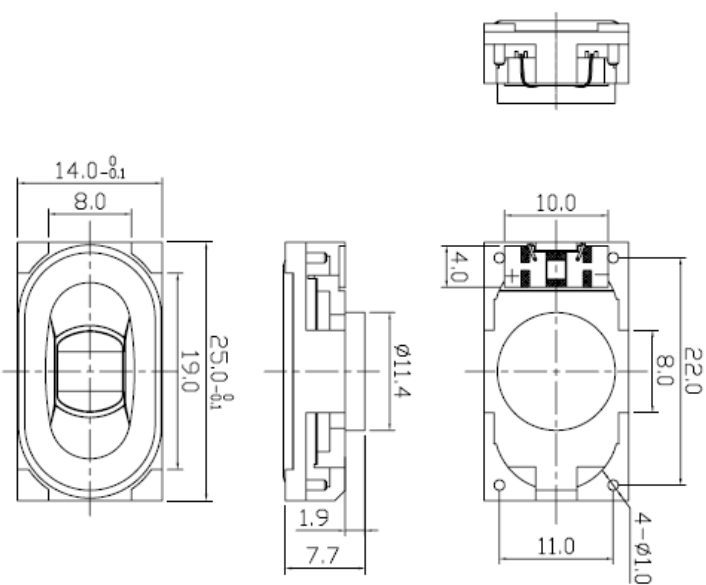
DATE: 10/13/2008

1	MODEL:	NDW1425-827-4A
2	Dimension	Refer to the attached drawing.
3	Weight	Total Weight: 3.5g ± 0.3 grams.
4	Magnet	Materials: NdFeB, D7.5*H1.8MM, D7.5*H1.5MM
5	Nominal Impedance	4 ohms ± 15%, At 300Hz, 1 Volt .
6	Power Rating	Nominal 1.5 W, Maximum 2W.
7	Lower Resonant Frequency (Fo)	610Hz ± 20%, ( 25°C±2°C IN THE ROOM ) .
8	Output Sound Pressure Level (S.P.L.)	76 dB ± 3 dB /1 Watt, 1.0meter ; ( 25°C±2°C IN THE ROOM ) ,
		Average at 800Hz – 2KHz Frequency Band.
9	Frequency Range	Fo~20KHz, Average SPL -10dB
10	Distortion	5% Maximum, At 1kHz, 1W.
11	Abnormal Sound Test	Sine waves Sweep Test, by 2.45 Volt/1.5W (RMS), 500~20KHz.
12	Power Test	IEC60265-8 noise signal, 2.45Volts/1.5W(RMS) 96Hrs,500~20KHz.
13	Polarity	Diaphragm shall move Forward when Apply a Positive DC
		Current to the "+" or "Marked" Terminal
14	HEAT TEST	AFTER TEST MEET ITEM 11.
		70°C±2°C Humidity 20~30%, 96 hours
15	HUMIDITY TEST	AFTER TEST MEET ITEM 11.
		40°C±2°C Humidity 92.5%±2.5%, 96 hours
16	COLD TEST	AFTER TEST MEET ITEM 11.
		-30°C±2°C, 96 hours.
17	HITH TEMPERATURE & HIGH HUMIDITY WITH OPERATING TEST	AFTER TEST MEET ITEM 11.
		IEC 60265-8 noise Signal, Signal input Cycle: 2 hours on and 0.5 hours off, 40°C±2°C Humidity 90 - 95%, 96 hours.
18	TEMPERATURE CYCLE TEST OF STORAGE	AFTER TEST MEET ITEM 11.
		60°C(2Hrs)=>Normal Temp.(1Hrs)=>-10°C(2Hrs)=>Normal Temp.(1Hr), Store Cycle of 96 hours.

### STANDARD CURVES OF THE SPEAKER



REVISION	CHANGES	DATE
0	RELEASED	08-12-2008



**PROPRIETARY INFORMATION**  
 THE DESIGN, INFORMATION, AND DATA CONTAINED HEREIN ARE PROPRIETARY AND ARE SUBMITTED IN CONFIDENCE, AND SHALL NOT BE DISCLOSED, USED, OR DUPLICATED, IN WHOLE OR IN PART, FOR ANY PURPOSES WHATSOEVER, WITHOUT THE PRIOR WRITTEN PERMISSION OF AURA SOUND, INC., 11839 EAST SMITH AVENUE, SANTA FE SPRINGS, CA 90670. THIS LEGEND SHALL BE MARKED ON ANY REPRODUCTIONS HEREOF IN WHOLE OR IN PART. RECEIPT OF THIS DOCUMENT SHALL BE DEEMED TO BE AN ACCEPTANCE OF THE CONDITIONS SPECIFIED HEREIN.

<b>AuraSound, Inc</b>		MODEL: NDW1425-827-4A
DESIGNER: LANG YAO	08/12/2008	TITLE: SHAPE
CHECKER: DING YAN	08/12/2008	MATERIAL: SEE REMARK
APPROVER: YC LEUNG	08/12/2008	FINISH: SEE NOTES
UNIT: mm GENERAL TOLERANCES UNLESS OTHERWISE SPECIFIED: XXX: ±0.10 XX: ±0.20 X: ±0.50 ANGLE: 10.5°		PART NO: U010201-06
		QTY: 1
		SCALE: 2:1